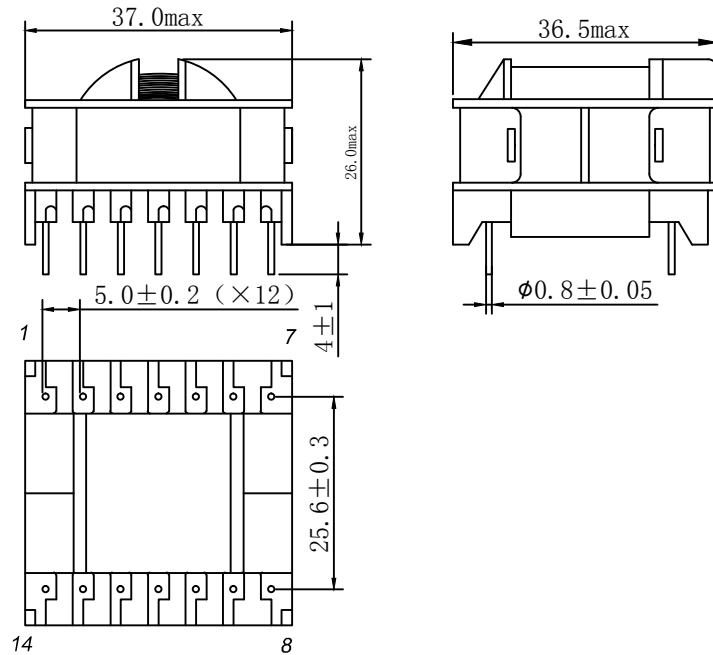
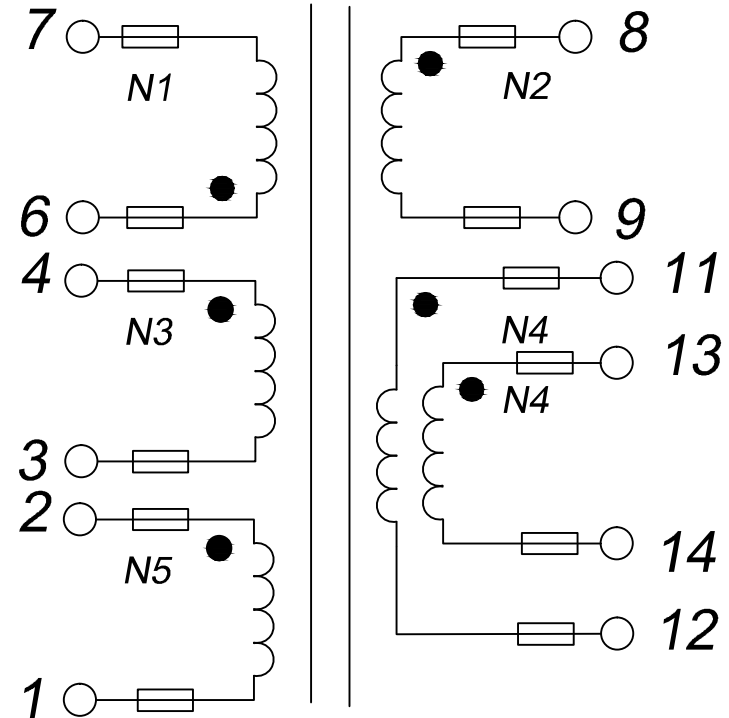


CUSTOMER TERMINAL	ROHS	Lead (Pb) -free
	YES	YES

1. Mechanical Dimensions



2. Schematic Diagram



3. Material List

Core:ETD29
 Bobbin:ETD29 7+7PIN
 Wire:LITZ 2UEW
 Operating Temperature: -40 to 70°C

4. Electrical Specification

Inductance: $L(6-7) = 4.59\text{mH} \pm 5\%$ 1.0KHZ 1.0V
 Leakage Inductance: $LK(6-7) = 137.58\text{uH}(\text{ref})$
 HI-POT: P-S AC1500V 5mA 3S
 HI-POT:P,S-CORE AC500V 5mA 3S

REV.	DATE	 Convention Placement	DRW.	Drawing Title: TRANSFORMER	Part No:
0	08/11		CHK.		Customer P/N:
RoHS		www.ferriwo.com	APP.		Specification Sheet 1 of 1